

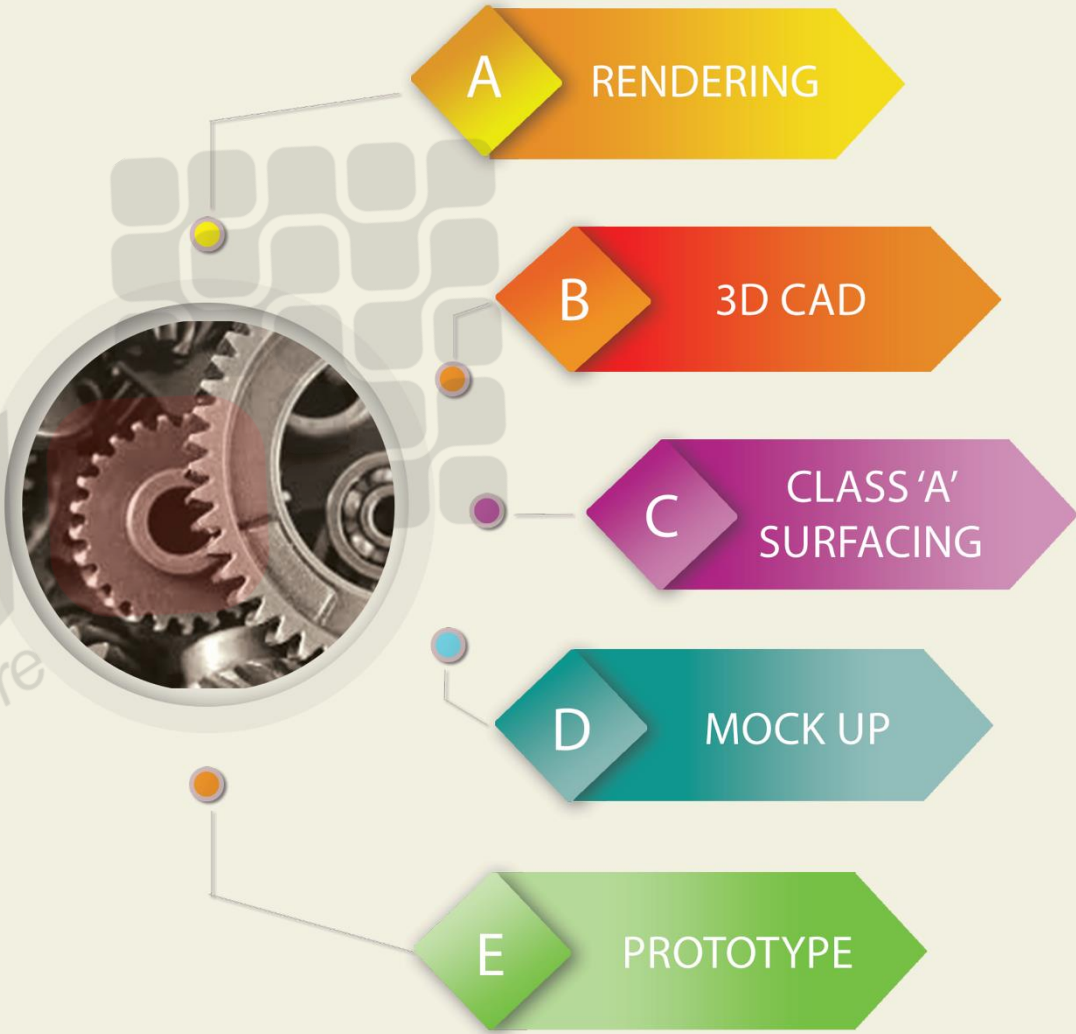
# INDUSTRIAL DESIGN

## ADVANCED DESIGN SOFTWARE

- 3D : UG/NX12 with Mold Wizard Module
- Class 'A' Capabilitiesz
- Team Center

## RENDERING STUDIO:

- Adobe Suite
- CorelDraw
- 3DS MAX
- Factory Design Suite.





# RENDERING



## 3D CAD

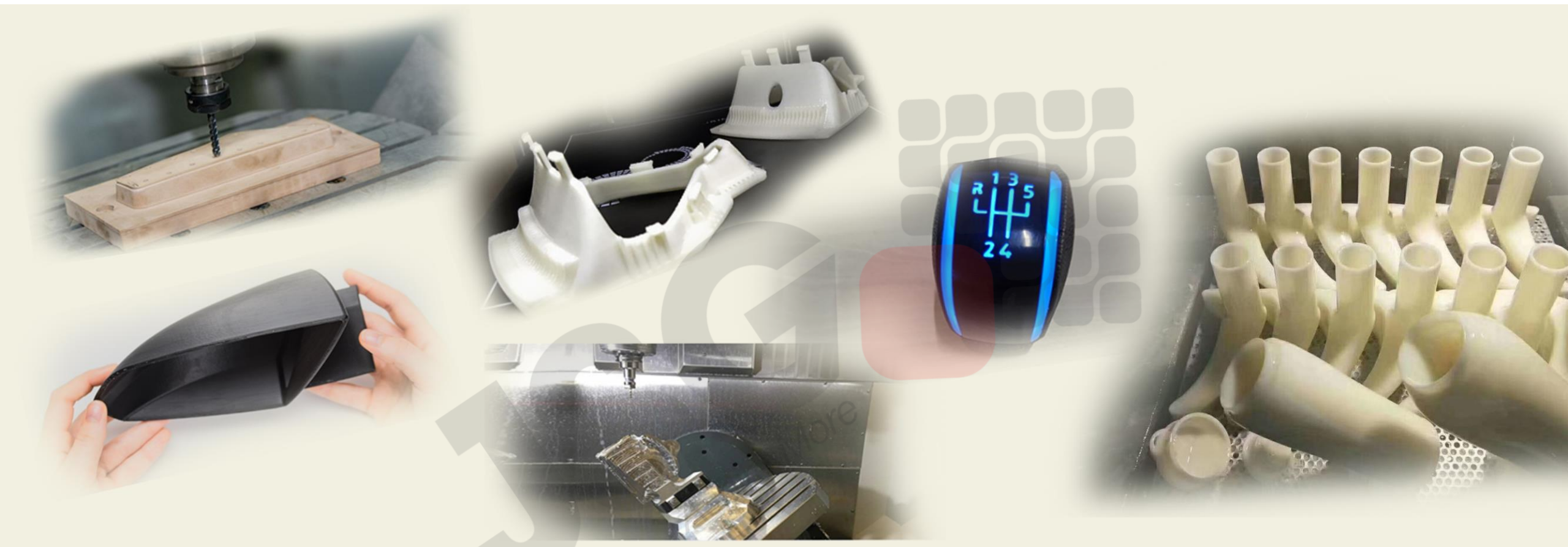




## Class "A" SURFACE



## MOCKUP'S



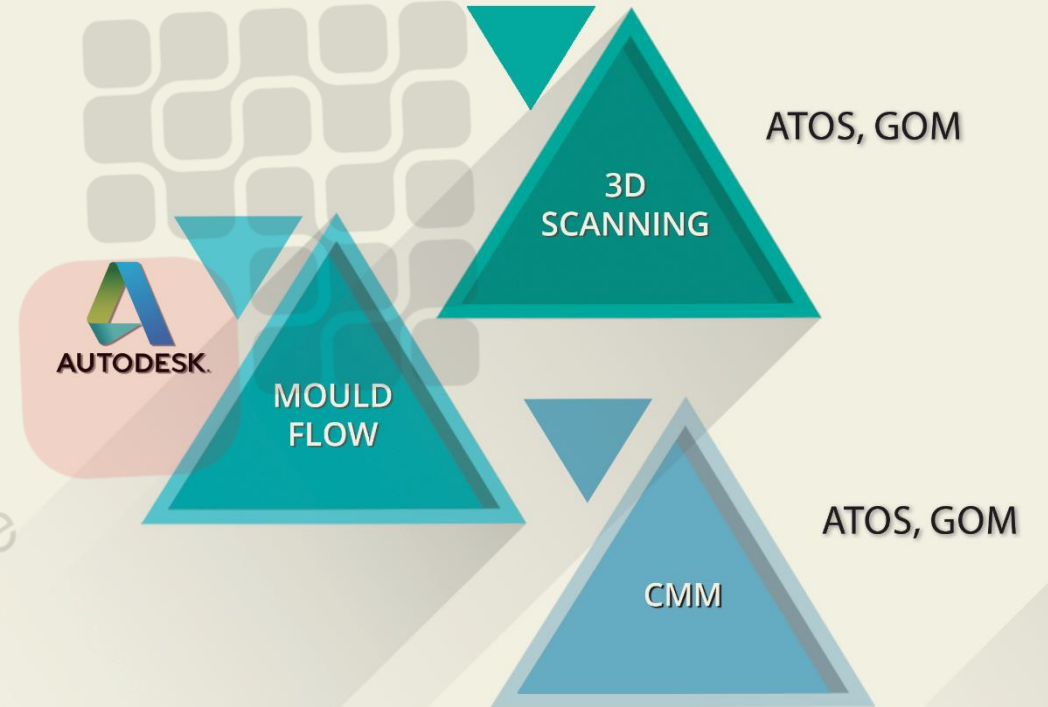
## PROTO TYPE

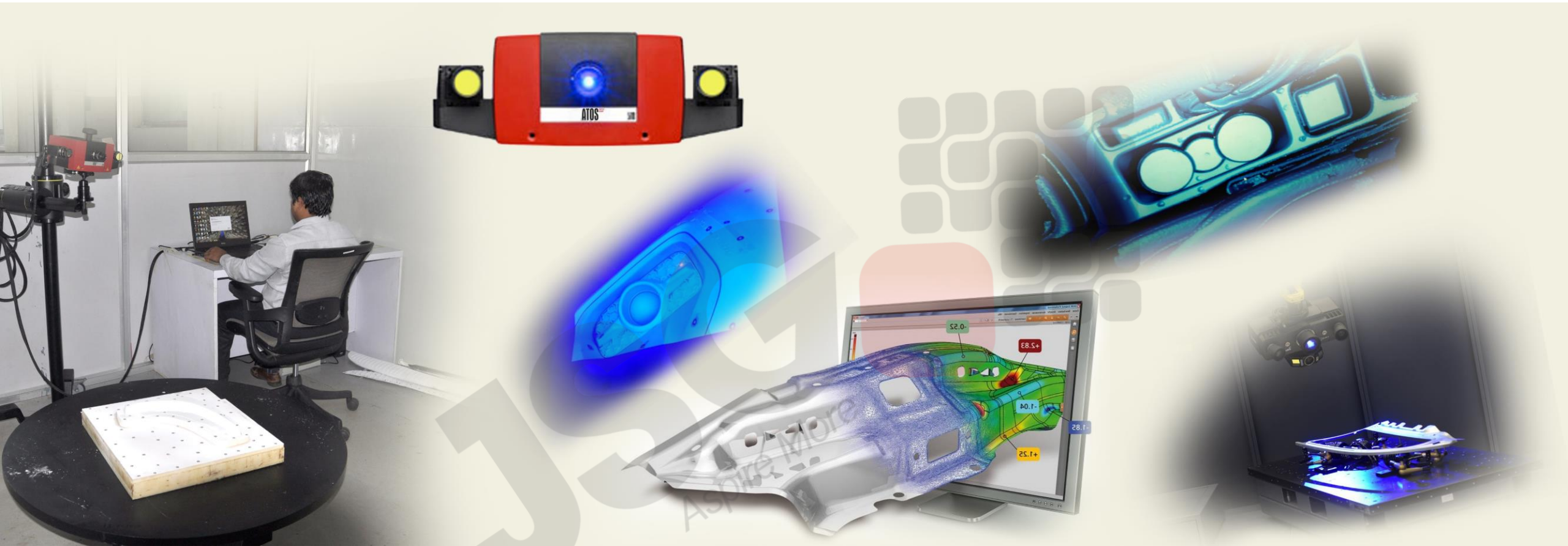


# COMPUTER AIDED ENGINEERING

## TECHNOLOGY

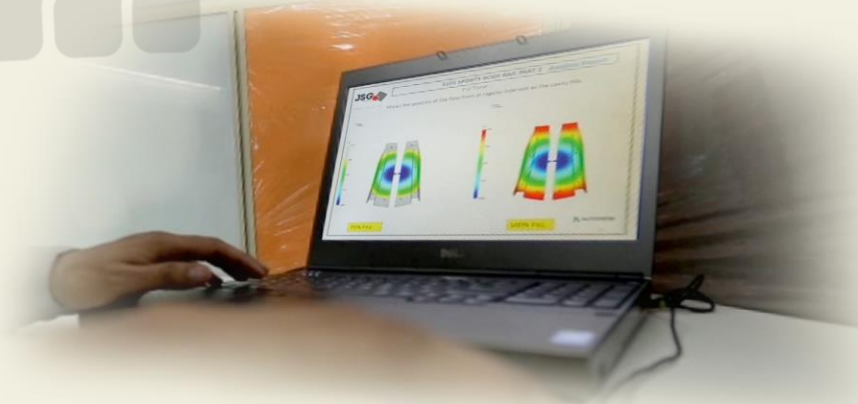
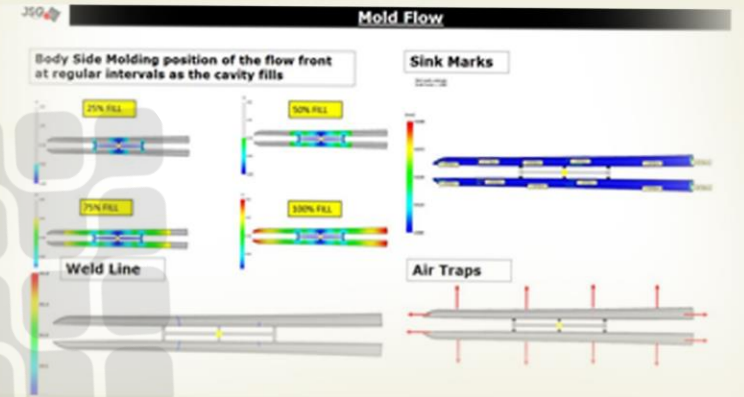
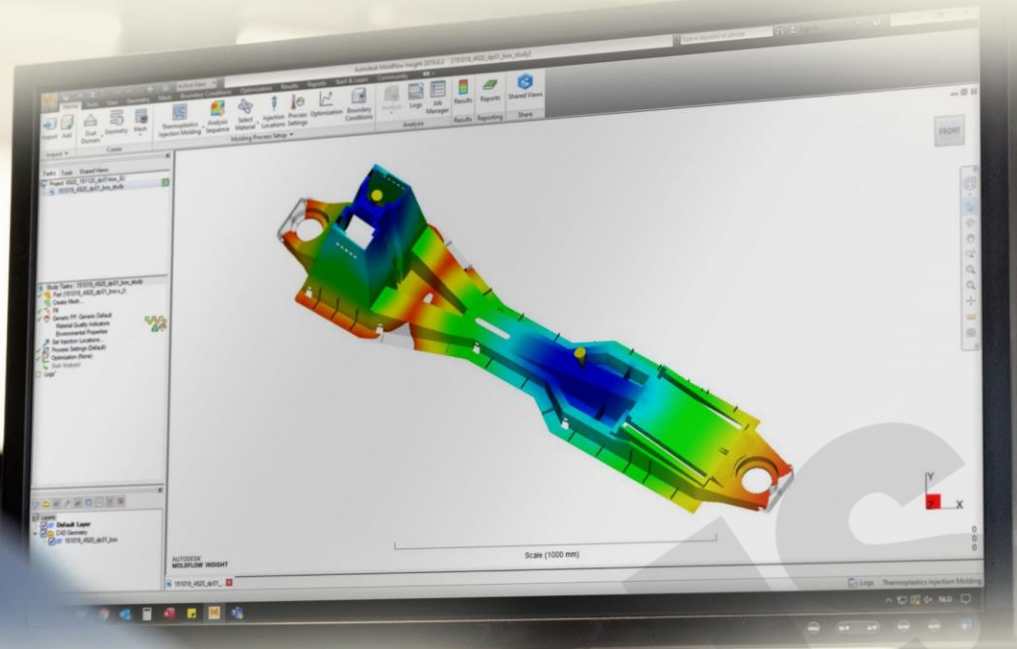
- ATOS, GOM, GmbH
- AutoDesk Mould Flow
- CMM





## 3D SCANNING





# MOULD FLOW



# CMM

# DIE AND MOULD MAKING

## PLASTICS

- Injection Tools up-to 1000 Tons
- Blow Mould Tools up-to 1.8 Mtrs.
- Vacuum Mould Tools up-to 2 Mtrs

## SHEET METAL

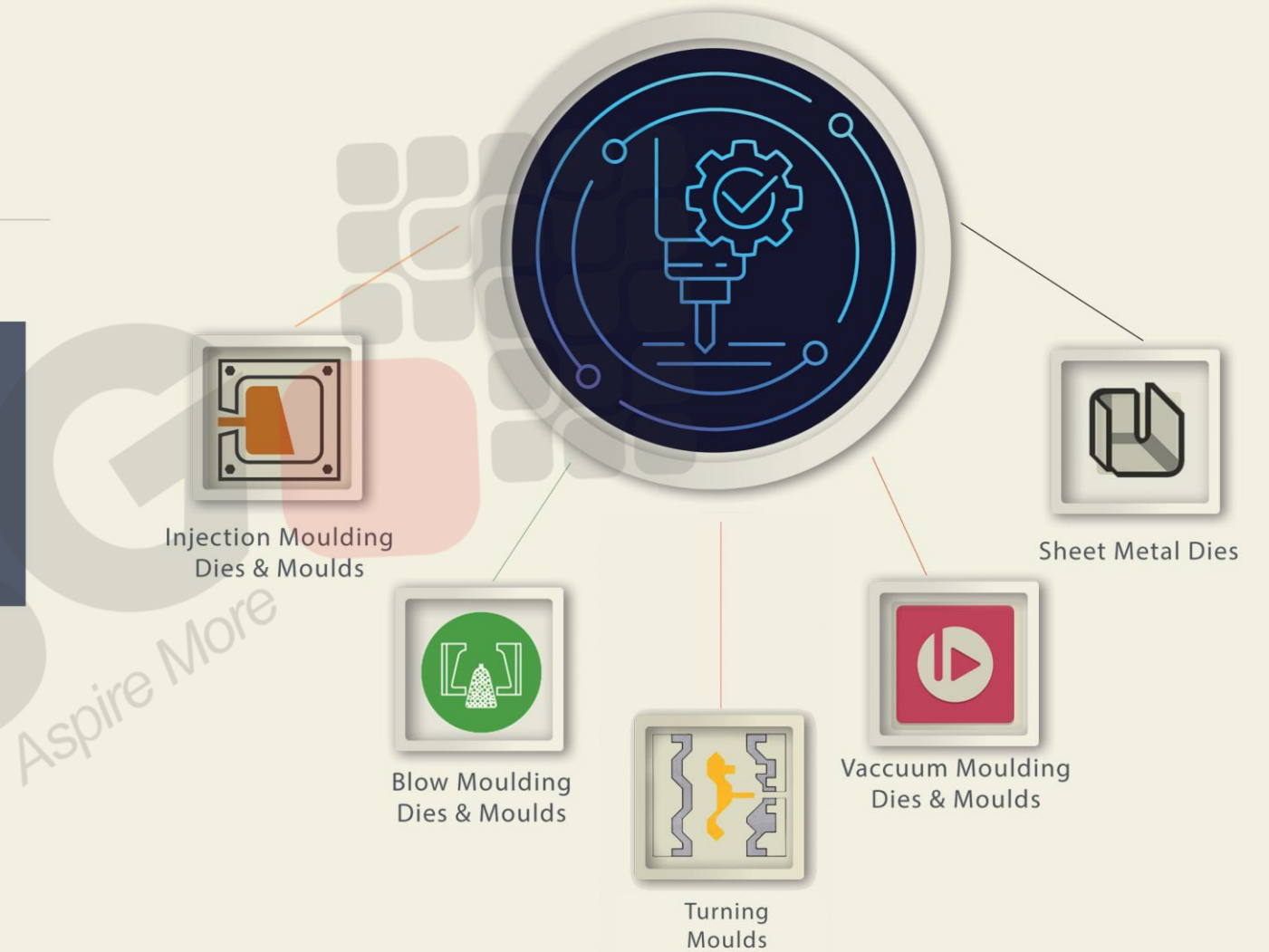
- Up-to 2 Mtrs., 350 Tons

## TURNING MOULDS

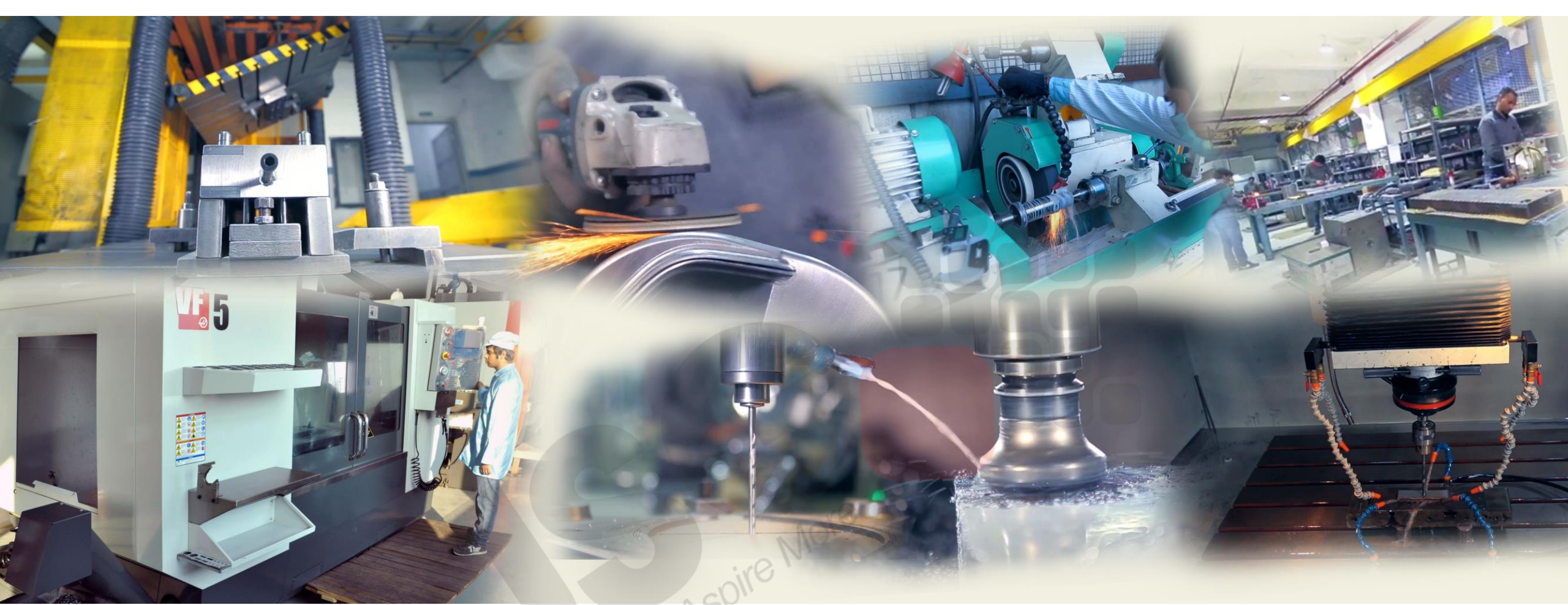
- 3200mm L x 755mmØ

## INFRASTRUCTURE

- CNC-VMC Machines : 16
- CNC Lathe -1: Up-to 3.2 Mtrs.
- Laser Cutting Machines: 4
- In house mould base manufacturing
- Conventional setup 2NC/ Wire Cut etc.

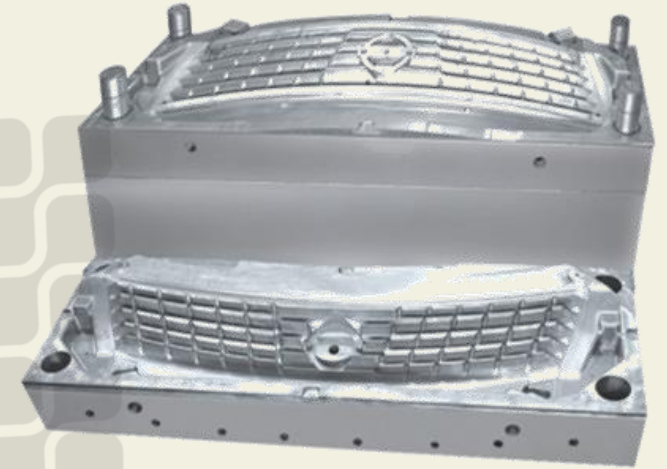
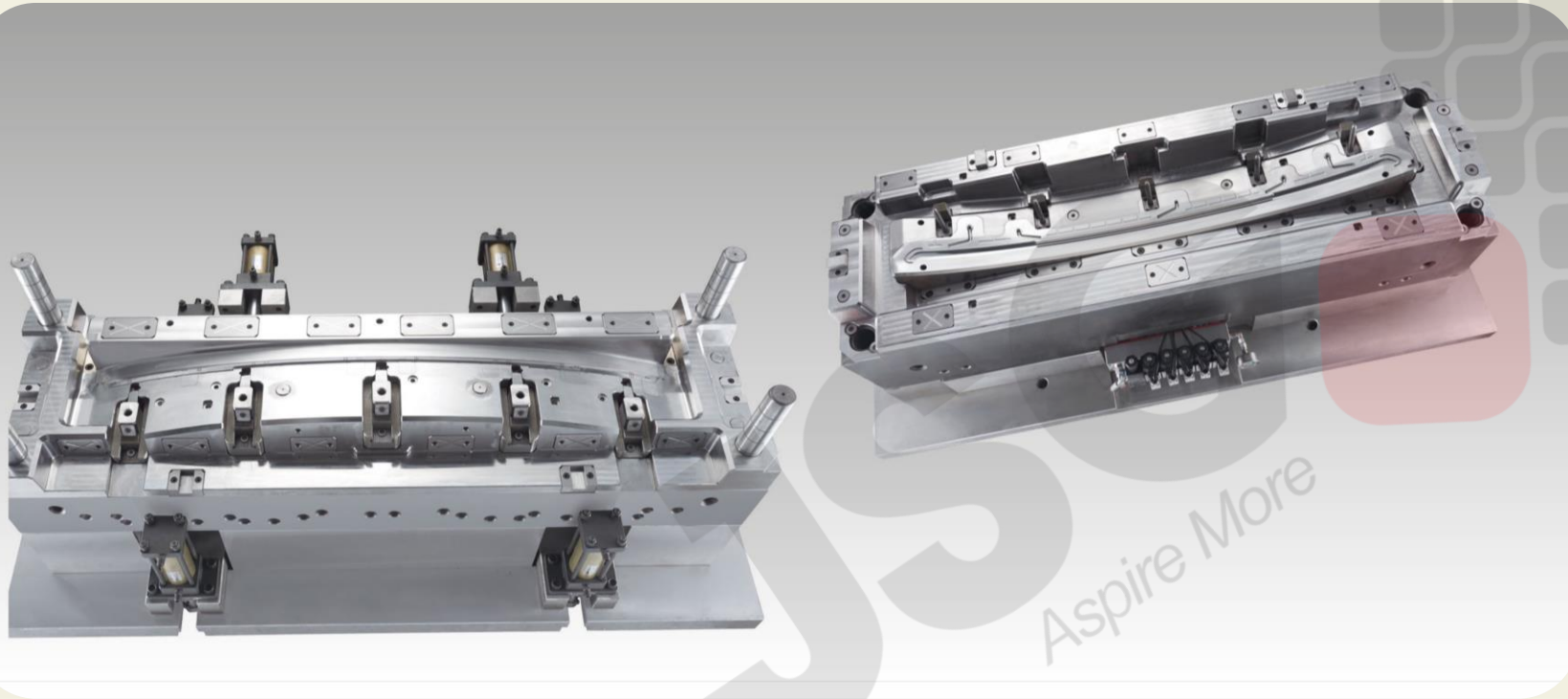




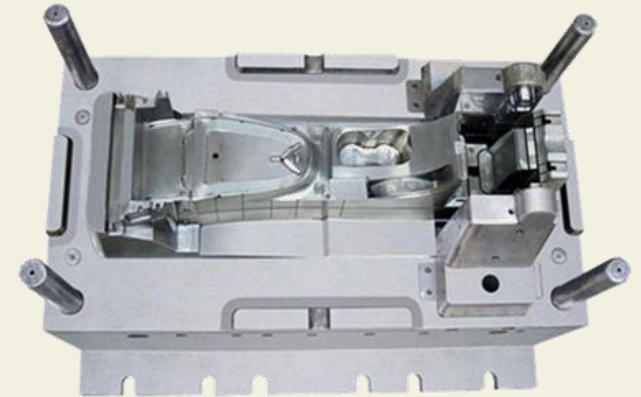


# DIE AND MOULD MAKING

# INJECTION MOULDS



Grills





## BLOW MOULDS



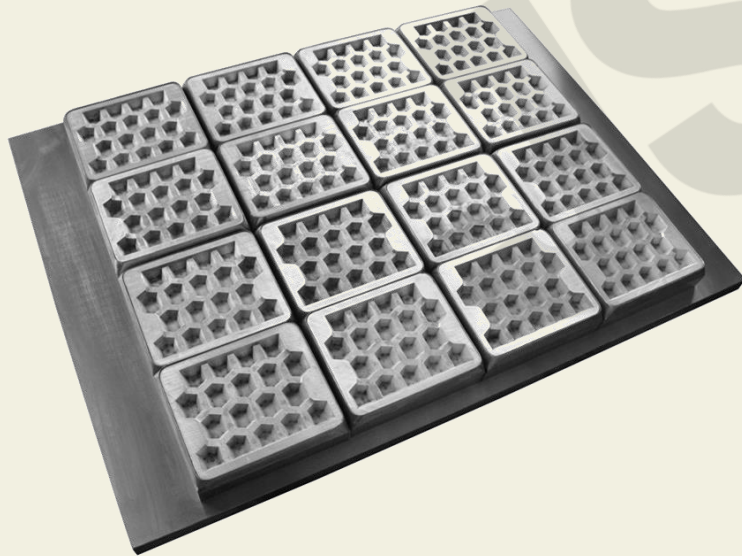
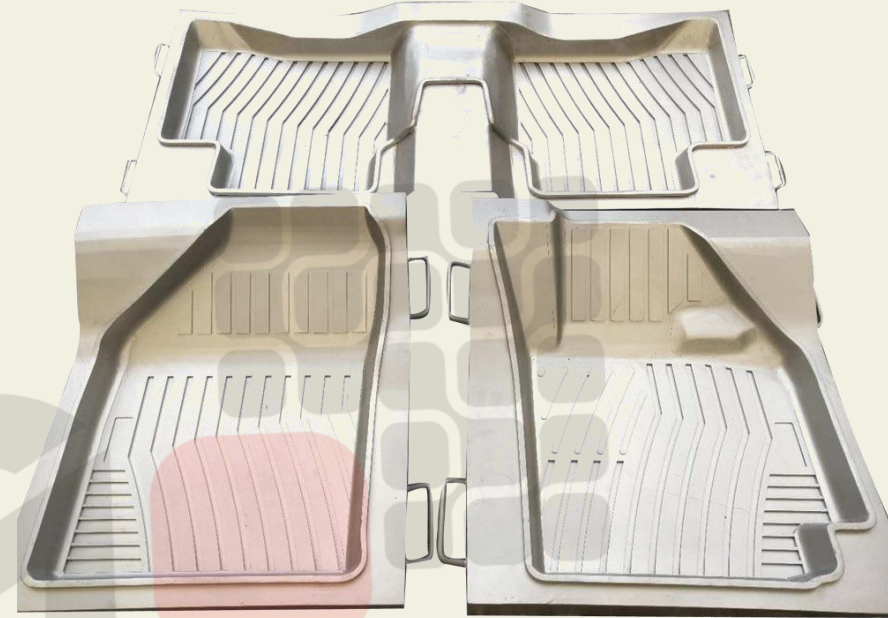
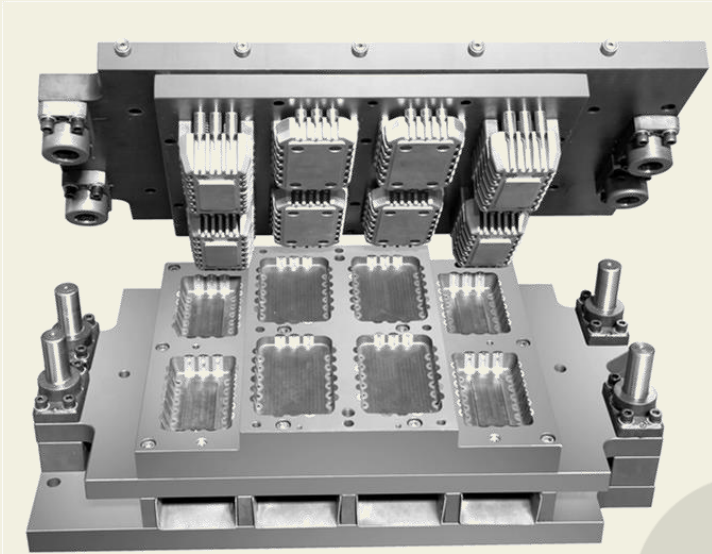


# TURNING MOULDS



JSG  
Aspire More

# VACUUM FORMING MOULDS





## SHEET METAL DIES

