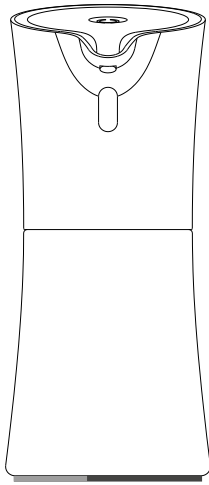


USER MANUAL

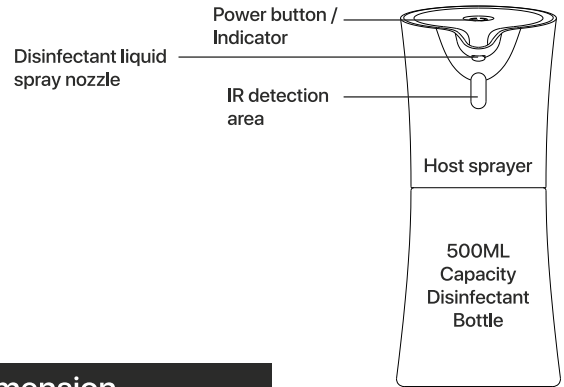
SLINKY Touchless Dispenser



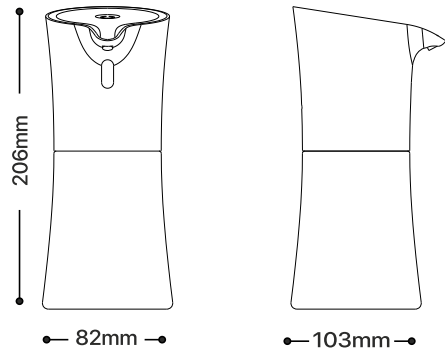
Please read user manual carefully before using this product.

Product Introduction

Thank you for purchasing our product! In order to control the spreading of bacteria, protect oneself, and truly care for others, we have launched Slinky, a smart & elegant energy-saving table top sanitizer spray dispenser. This product is made after carefully experimenting the technology and examining ergonomical designs with a hope to bring forth a pleasant user-experience.



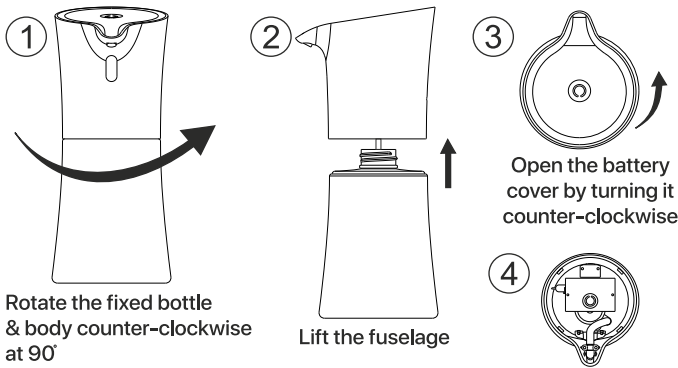
Unit Dimension



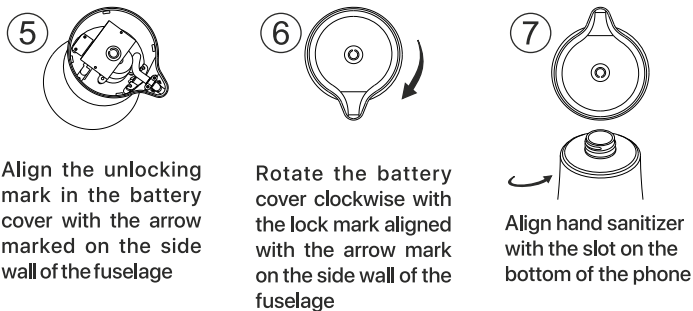
-1-

How to add disinfectant liquid

Insert 4 AA alkaline dry batteries on the receipt of sprayer or when the power of sprayer is low. Install and replace the batteries according to the following sketch. Please ensure the sprayer is OFF before installation.

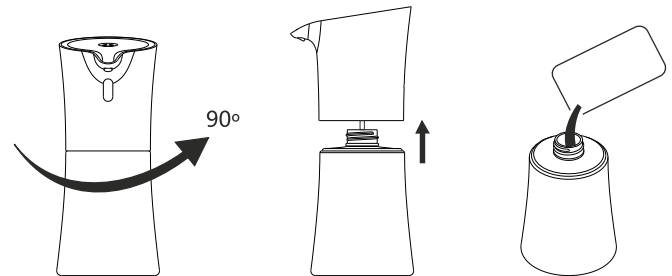


Install the battery correctly according to the positive and negative poles (+/-) marked on the battery compartment

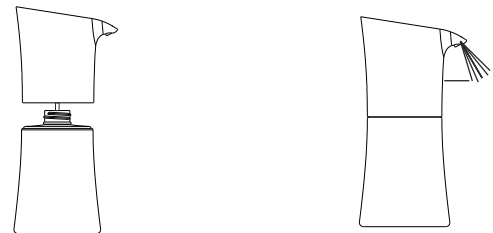


-2-

How to add disinfectant liquid



1. Rotate the fixed bottle & body counter-clockwise at 90°
2. Lift the fuselage
3. Fill disinfectant liquid



4. Fix the bottle body again by rotating the clockwise.

How to Use

- Step 1 : Install the battery correctly according to the instructions.
- Step 2 : Add disinfectant as instructed
- Step 3 : Switch ON the machine by tapping on the button. A white light will appear, turning ON slinky.
- Step 4 : Move your palm towards to the black sensing area of the sprayer, the white indicator light turns on, spraying disinfectant.
- Step 5 : Move the other palm towards the black sensing area of the black sensing area of the sprayer, the white indicator light turns on, spraying disinfectant.

-3-

Tip : when the sprayer is not on working, it will enter the standby mode automatically, and it does not need to be turned off manually.

Status	Indicator status
Turn On	Tap on the power switch, the white light will appear about 2 sec.
Turn Off	Tap on the power switch, the yellow light will appear about 2 sec.
Low battery	Yellow light keeps flashing
Spraying	White light will appear

Product Parameter

Product name : Slinky Battery Spec : AA Alkaline battery *4
 Product model : HG-001 Product size : 105*87*205mm
 Bottle Capacity : 500 ML Working humidity : 0%-85% RH
 Operating Voltage : DC 4V

Non warranty regulations:

The product will be under non-warranty regulations concerning the following conditions:

1. Unauthorized repair, misuse, collision, negligence, overuse, liquid intake, accident, modification, incorrect use of non product accessories, or tear, alter label, anti-counterfeiting mark
2. Beyond the warranty period
3. Damage caused by force majeure
4. Failure is not the performance failure listed in the performance failure table
5. Failure listed in the failure table of products caused by misuse or vandalism

Maintenance and service

1. If cleaning is necessary, it is recommended to turn off the device and use a wet towel to clean the surface of the product.
2. The product will not be used for long time, please take out the battery to prevent the battery to come in contact with moisture and liquid leakage.

Precautions

1. Don't put the product into the water or wash the device with water, to avoid electrical short.
2. When installing or replacing the disinfectant, do not use the non special disinfectant as an alternative, so as to avoid machine failure.
3. Do not block the nozzle with hands or foreign matters. and do not lay down the device body, so as to avoid damage caused by liquid pouring into the machine body.
4. If you haven't used the product for a long time, please use clear water to pump and wash it for many times, so as to avoid blockage in the pipeline.
5. When the product runs out of power or will not be used for a long time, please take out the battery. If you need to discard the waste battery, please dispose according to the local laws and regulations.
6. Please keep the battery out of the reach of children. When the indicator light is on for low battery, the battery needs to be replaced. Please follow the manual to change the battery.
7. Do not use product in light/low temperature, fire and other harsh environment.
8. Do not disassemble or repair the product by yourself.
9. Do not tilt the bottle when installing or replacing hand disinfection. If a small amount of liquid outflow is normal, it can still be used normally after wiping.

10. In case of water pouring, inversion and inclination, make sure that the battery compartment is filled with liquid in time. If necessary, take out the battery and wipe it dry before continuing to use.

11. Due to individual differences, a very small number of people may have allergies during the process. If there are allergies, please stop using, and if necessary, consult a doctor & health expert.

12. Please avoid exposing the sensing area of the machine to sunlight or strong light, it will cause sensing error in the spray disinfectant.

Function failure list

Fault phenomenon	Fault cause	Resolution
Can not turn on or off	Wrong assemble battery	Re-assemble the battery correctly
No indicator	Power off/Wrong assemble the battery	Re-assemble the battery correctly
Can not spray	Run out off the disinfection /low or no power	Refill the bottle with disinfectant liquid / change the battery
Orange indicator flash	Black sensing area - blacked	Turn off device and clean up the IR area and remove the blockage, restart the device
Automatic spray disinfection	Sensing area is mistakenly induced by strong light	Avoid places exposed to sunlight

After sales service information

For agent ship use

Customer name :(Mr./Mrs.)
 Contact phone number:
 Customer add:

 Purchasing date:.....
 Purchasing store :
 Store add :

 Store phone number :
 Invoice no. :

After sales service information

For agent ship use

Customer name :(Mr./Mrs.)
 Contact phone number:
 Customer add:

 Purchasing date:.....
 Purchasing store :
 Store add :

 Store phone number :
 Invoice no. :